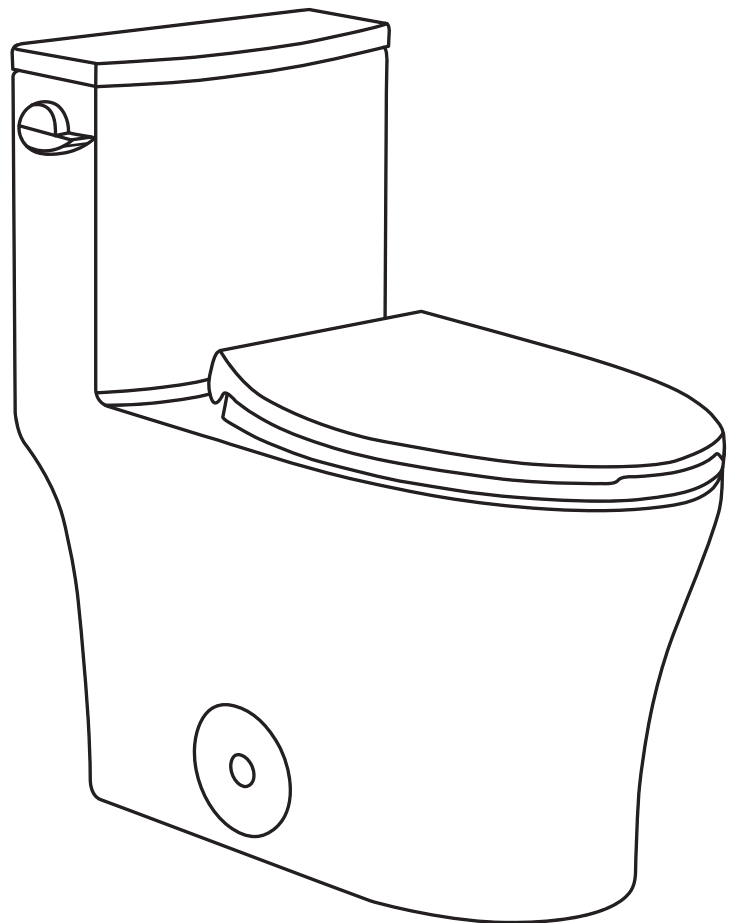


INSTALLATION INSTRUCTIONS

ONE PIECE HIGH EFFICIENCY TOILET





MODEL# MOTB16W

 **READ ALL INSTRUCTIONS BEFORE UNPACKING THE PRODUCT**

INSTRUCTIONS THAT, IF IGNORED COULD RESULT IN DEATH OR SERIOUS INJURY CAUSED BY INCORRECT HANDLING OR INSTALLATION OF THE PRODUCT. THESE INSTRUCTIONS MUST BE OBSERVED FOR SAFE INSTALLATION.

 **CAUTION**  **TWO PERSON LIFT REQUIRED**

2 PEOPLE ARE REQUIRED TO LIFT AND DURING ENTIRE INSTALLATION OF THIS PRODUCT

 **INSTALLATION OF THIS PRODUCTS BY AN INEXPERIENCED INSTALLER MAY RESULT PERSONAL INJURY OR DEATH!** 

We reserves the right to change, update, modify, alter, redesign this manual/product or its policies without prior notice! **It is your responsibility to visit website to download or contact customer service for the most updated version of the installation instructions.**

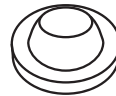
We shall not be liable for any injuries or property damages in connection with this product during installation or use of this product!

We recommend that the licensed plumber have experience in the installation of this product.

1. Limited warranty is void on any commercial installation.
2. We are not responsible for local code compliance for this product. Building and plumbing codes may vary from state-to-state in accordance to your location. We are not responsible for providing any compliance certifications.
3. We are not responsible to provide any type of certifications for this product.
4. Under no circumstances are we liable for any and all incidental damages sustained in connection with this product. Neither manufacturer, nor distributor, nor retailer is responsible for water damage or flooding due to use of this product.
5. Under no circumstances shall we be liable for any and all fees, cost of installation/reinstallation/removal or subsequent damage or transportation in case of product defect.

TOILET COMPONENTS

- During unpacking of the product, and prior to installation, inspect your new product for any damages or missing parts
- Do not attempt to install or operate the product if the product is damaged.



Wax Ring x1



2x Nuts



Closet Bolts x2

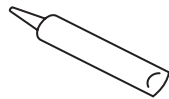


2x Washers

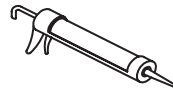
TOOLS REQUIRED FOR INSTALLATION



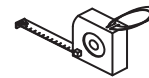
SOFT CLOTH
OR BLANKET



SILICONE



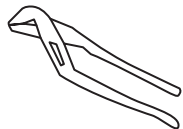
SILICONE/
CAULK GUN



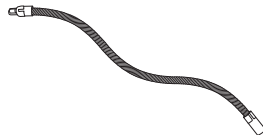
TAPE
MEASURE



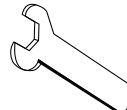
ADJUSTABLE
WRENCH



CHANNEL
LOCK PLIERS



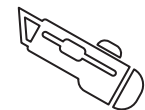
ADJUSTABLE
SOCKET EXTENSION



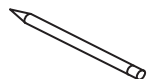
HAND
WRENCH



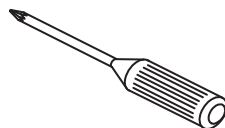
SAFETY GLASS



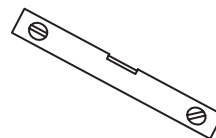
KNIFE



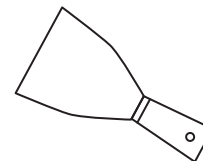
PENCIL/MARKER



PHILIPS
SCREWDRIVER



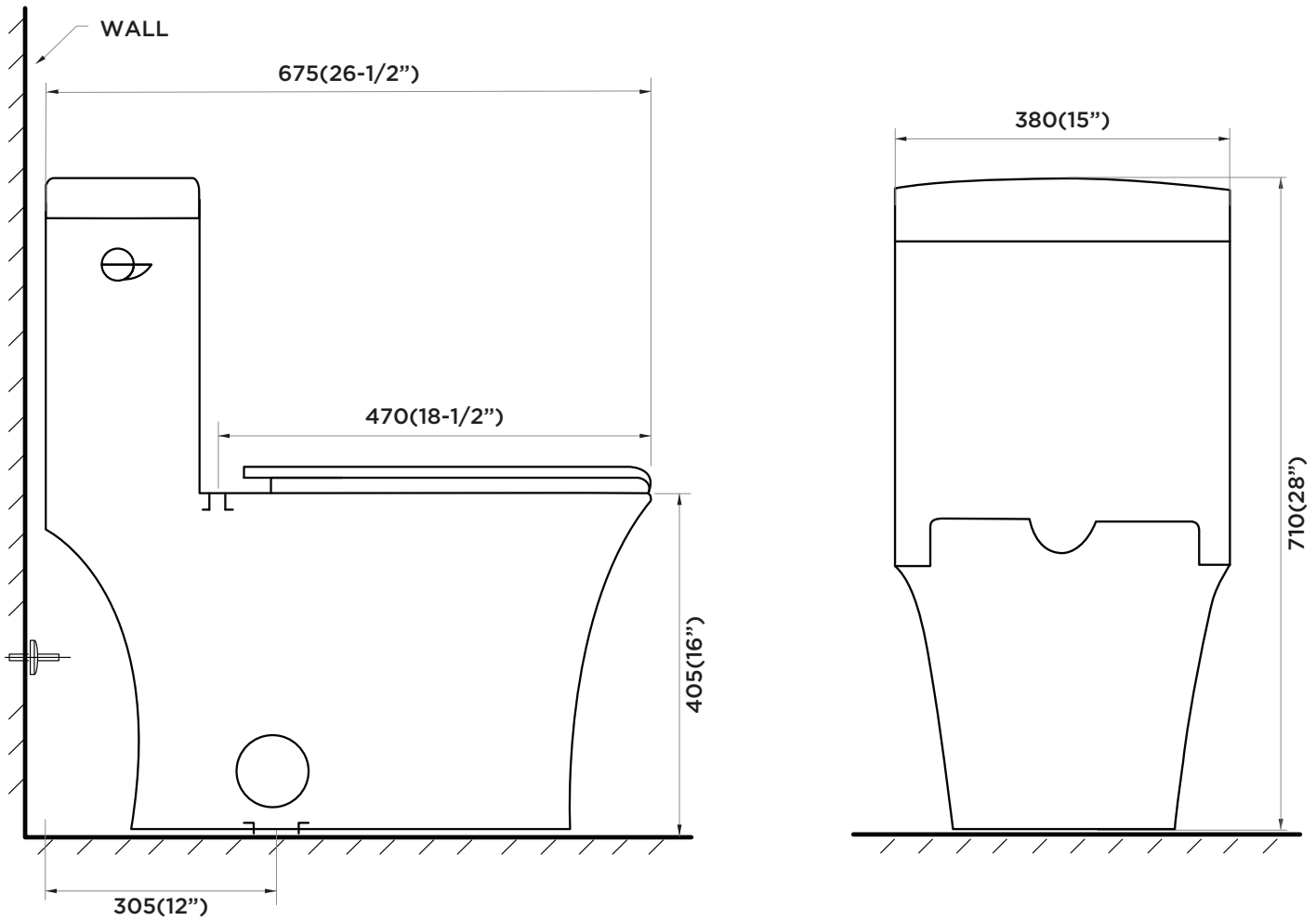
LEVEL



PUTTY KNIFE

OTHER TOOLS MAY BE REQUIRED

DIMENSIONS/TECHNICAL DATA



ATTENTION! Dimensions may vary by up to 3/8". It is highly recommended to pull all dimensions of actual model for installation and measuring purposes.

INSTALLATION INSTRUCTIONS



IMPORTANT! SHUT OFF MAIN WATER SUPPLY PRIOR TO INSTALLATION!



REMOVE OLD TOILET

1. Shut off water supply line. If you do not have shut-off valve near the toilet shut off main water supply line.
2. Flush the old toilet and make sure that tank is empty.
3. Disconnect and remove water supply line connected to the toilet's tank.
4. Remove old toilet, bolts, nuts from the closet flange.
5. Clean closet flange area from old wax ring and putty sealant using putty knife from the base area.
6. Clean any remaining debris and wipe any water at the installation area
7. Temporarily plug the flange with a flange plug or towel to prevent gasses escaping or debris falling into the waste pipe.

IMPORTANT!

The mounting surface area must be clean, dry, and leveled prior to installation of the new toilet!

NOTE!

Inspect the existing closet flange for damages. If damaged, replace it with a new flange before proceeding with the installation.

PREPARE CLOSET FLANGE

FIGURE #1

- Make sure that rough-in is 12" by measuring the distance from the wall to the center of the closet flange.

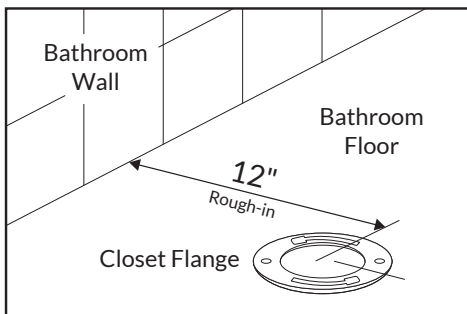
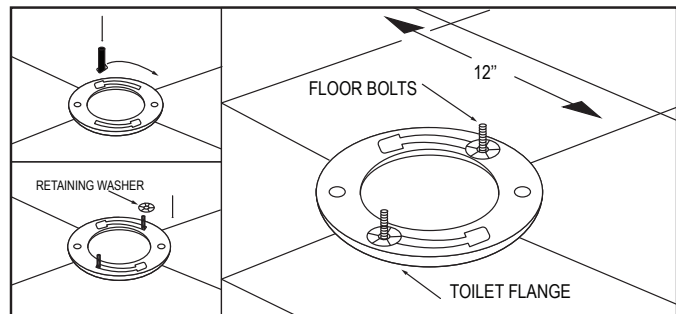


FIGURE #2

- Insert floor bolts into flange channel with bolt head down, use plastic retaining washers to hold the bolts in full-length. Floor bolts should be parallel to wall and 6" apart.



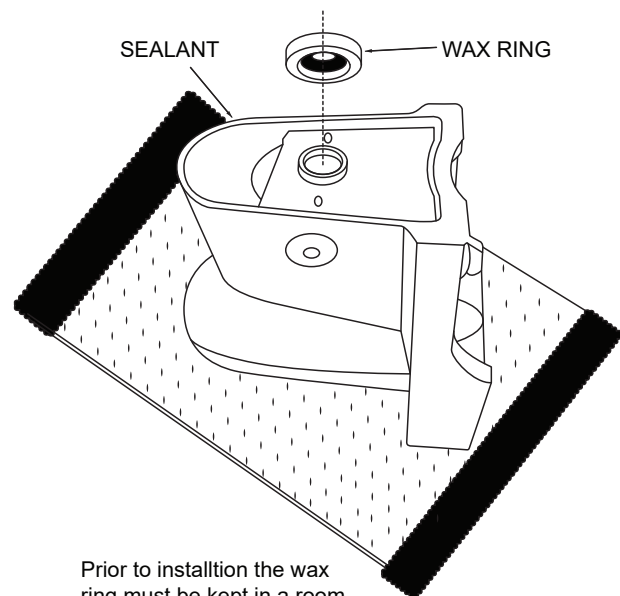
INSTALL WAX RING

FIGURE #3

- **Important:** Safety glasses must be worn by the installer and all bystanders. Cover the floor with a soft-cloth blanket. Carefully turn the toilet onto its side or upside-down on the blanket with the assistance of a second person. Install the wax ring over the discharge horn located on the bottom of the toilet bowl.

See Figure 3

Note: Ceramic is a fragile material. You must always cover the floor with a soft-cloth blanket if you want to put the toilet on the floor on any side other than the bottom of the toilet. If you do not cover the floor with a soft-cloth blanket, contact of the toilet with the floor may cause minor or moderate scratches on the surface of the toilet.



Prior to installation the wax ring must be kept in a room temperature between 70-75°F.



Always Use Soft-Cloth Blanket



CAUTION



2 PEOPLE ARE REQUIRED TO LIFT AND DURING ENTIRE INSTALLATION OF THIS PRODUCT

INSTALL NEW TOILET

- **STEP 1.** Lift and carefully put the toilet on the closet flange so the closet bolts can go through the mounting holes in the base of the toilet. Once the bowl is in the position press the bowl down with slight twisting motion in level position towards the floor. Apply your body weight to evenly compress the wax ring to create a watertight seal. Make sure that the bowl is as level as possible to have a nice tight, waterproof seal.

Do not rock the toilet back and forth and side to side as it may and will break a seal and you will need to replace the wax ring again and start the installation process over.

See **Figure 4**

- **STEP 2.** Once the toilet is set and leveled install washers and nuts over the closet bolts. Tighten nuts. Do not overtighten the nuts. It may and will cause damage to the toilet's ceramic base.

See **Figure 5**

FIGURE #4

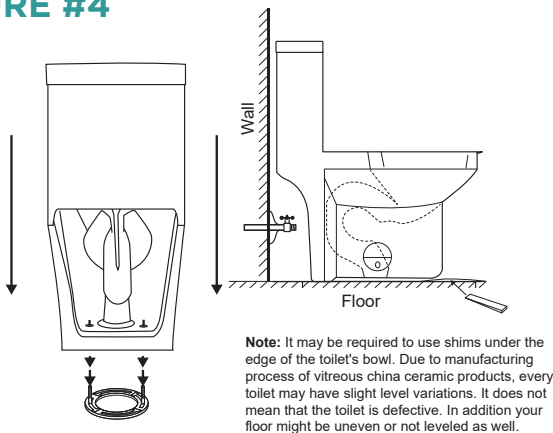


FIGURE #5

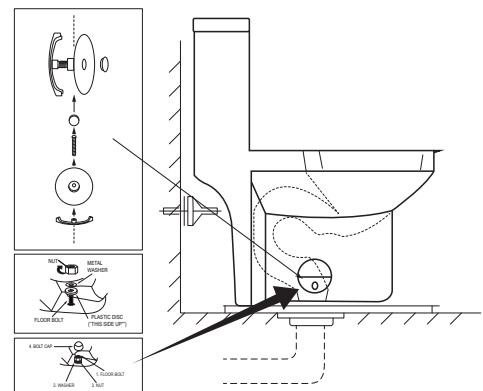
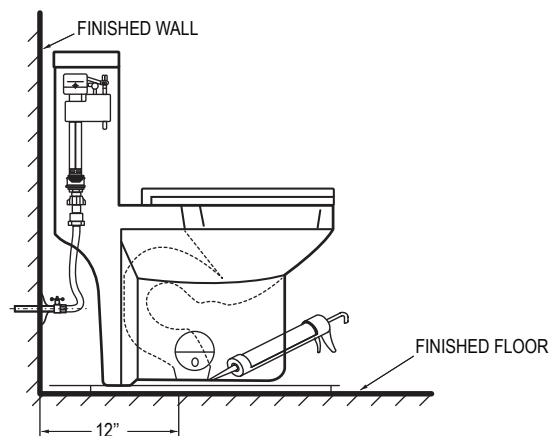


FIGURE #6



CONNECT TOILET'S TANK TO WATER SUPPLY LINE

- Connect the water supply line (not supplied) between the tank and water shut-off valve. When connecting the water supply line, tighten the coupling nut to the tank by 1/4 turn beyond hand tight.



CAUTION

**DO NOT OVERTIGHTEN NUT ON THE TANK CONNECTION.
IT MAY AND WILL CAUSE WATER LEAKAGE.**

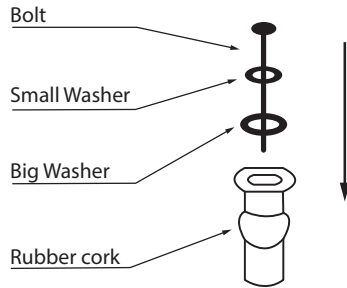
- Turn the water shut-off valve on and allow the tank to fill. Check all connections for leakages and tighten as needed.
- Once the tank is filled with water, flush it 4-5 times to perform a test of the flushing system. At the same time, check the bottom of the toilet for leaks to make sure that the wax ring is properly installed and sealed.
- If there are no leaks, you are ready to finalize the installation. If any shims are installed at the bottom of the toilet bowl, you may trim them. Apply silicone around the base of the toilet. Allow 24 hours for silicone to dry before you start using the toilet. See **Figure 6**. Important: Leaks may not occur during, or right after the installation. Make sure to check for leaks every few hours to ensure that the toilet is properly installed and no leaks occur. If any leaks occur, immediately turn off the water shut-off valve and contact your local plumber to fix all leaks.

Important:

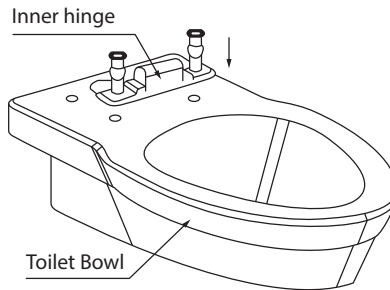
1. Under no circumstances are we liable for any and all incidental damages sustained in connection with this product.
2. Neither manufacturer, nor distributor, nor retailer is responsible for water damage or flooding due to use of this product.
3. Under no circumstances shall we be liable for any and all fees, cost of installation/reinstallation/removal or subsequent damage or transportation in case of product defect.

INSTALL TOILET SEAT

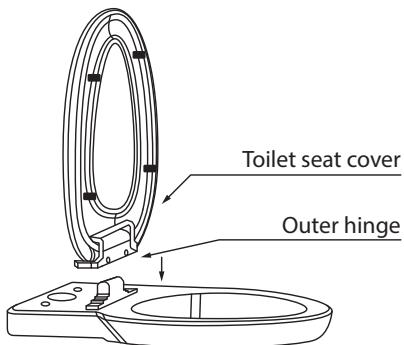
1. In sequence, install rubber cork, big washer, small washer, then bolt as shown in diagram below.



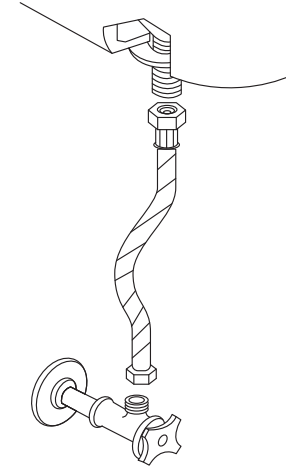
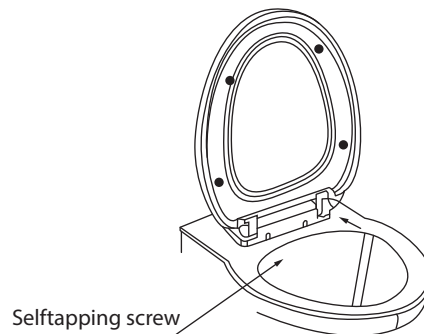
2. Align the inner hinge with the toilet bowl seat holes and insert screws to secure inner hinge.



3. Attach the seat cover and outer hinge union onto the outer hinge.



4. Lift the seat cover up, and insert the self-tapping screws into the composite hole and tighten screws.



A. Connect the water supply line (not included) between the tank and shut-off valve.

B. Tighten the tank connection coupling nut 1/4 turn beyond hand tight.

DO NOT OVERTIGHTEN THE TANK CONNECTION

C. Turn on supply valve and allow tank to fill. Check for leakage at all connections and tighten or correct as needed.

CAUTION: DO NOT OVERTIGHTEN THE LOCK-BOLT, AS IT MAY DAMAGE THE SEAT.

Retain these installation instructions for future reference!

Thank you for using Fine Fixtures!